

LED SHOEBOX/ AREA LIGHT – AL 02 Series



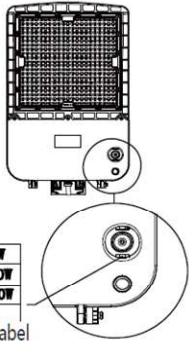
Application: commercial and industrial outdoor lighting, parking lots, buildings, building facades, storage yards, parks and so on.

Certification



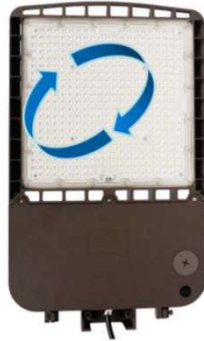
Flexible Feature

Watt Adjustable at installation



Watts indicating label

Rotatable Lens



Feature

- High efficiency LED Driver, the wide range input voltage AC120-277V\
- Surge protection: 6KV.
- Cast aluminium design, better cooling and easy replacement, light quality, LEDTj<185 °F
- Excellent optical design, greatly improve the light utilization
- Photocell Control & PIR motion sensor Available
- 1-10V Dimming

Mounting Bracket

SF
Slip Fitter



Arm
Fixed Arm Bracket



T
Trunnion



Universal
Adjustable Arm
with Pole Hole



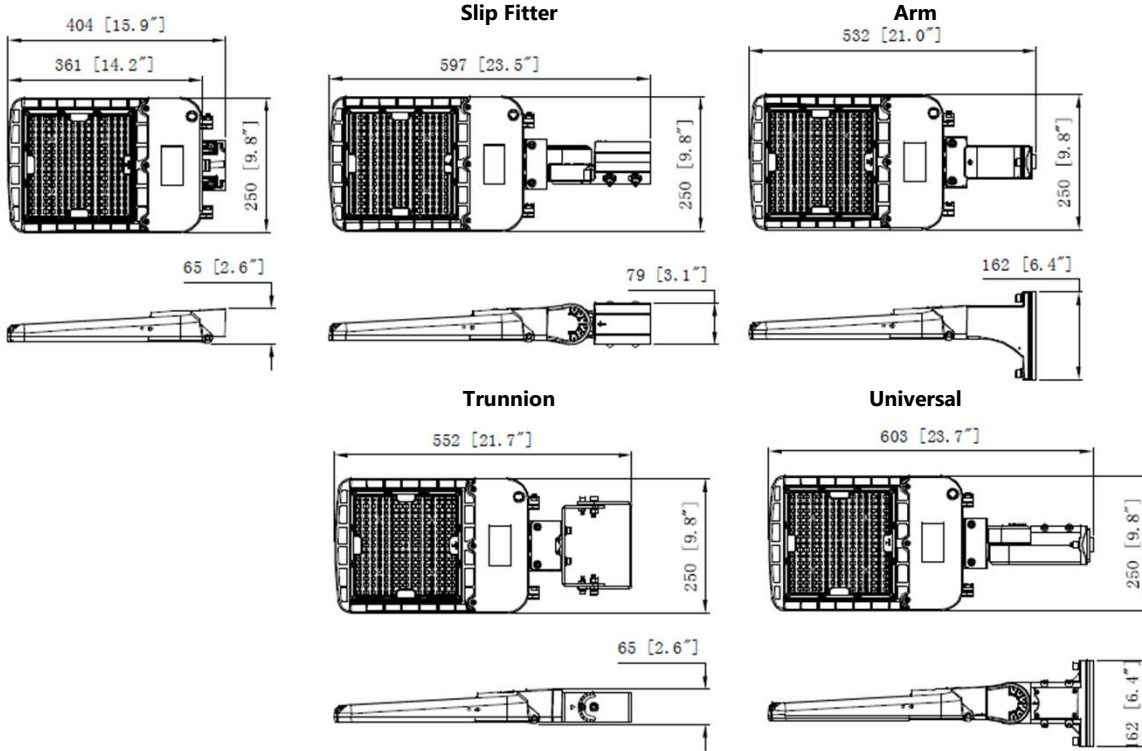
Specifications

Model	HYA-AL02-150W-H3-50K-TW	HYA-AL02-200W-H3-50K-TW	HYA-AL02-300W-H3-50K-TW
Wattage	70W/100W/150W	100W/150W/200W	200W/240W/300W
Input Current	1.65A Max	2.2A Max	3.3A Max
Lumen Output	22007lm Max (DLC#S-X690CD)	26947lm Max (DLC#S-O9CZ12)	43360lm Max (DLC#S-JEVB01)
Input Voltage	AC100-277V 50/60Hz		
Lighting Angle	Type III		
Lighting Efficiency	130 Lm/W		
Color Rendering Index	Ra>80		
Working Temperature	~40°F ~+113°F / ~40°C ~+45°C		
Environment Location	WET LOCATIONS (IP65)		
Power Factor	> 0.9		
Life Span	Lumen Maintenance over 70% @ 50,000+ Hours (5-year limited warranty)		
Lamp Shell	Dark Bronze		
Accessories Option	PC: Photocell Control / MS: PIR Motion Sensor		

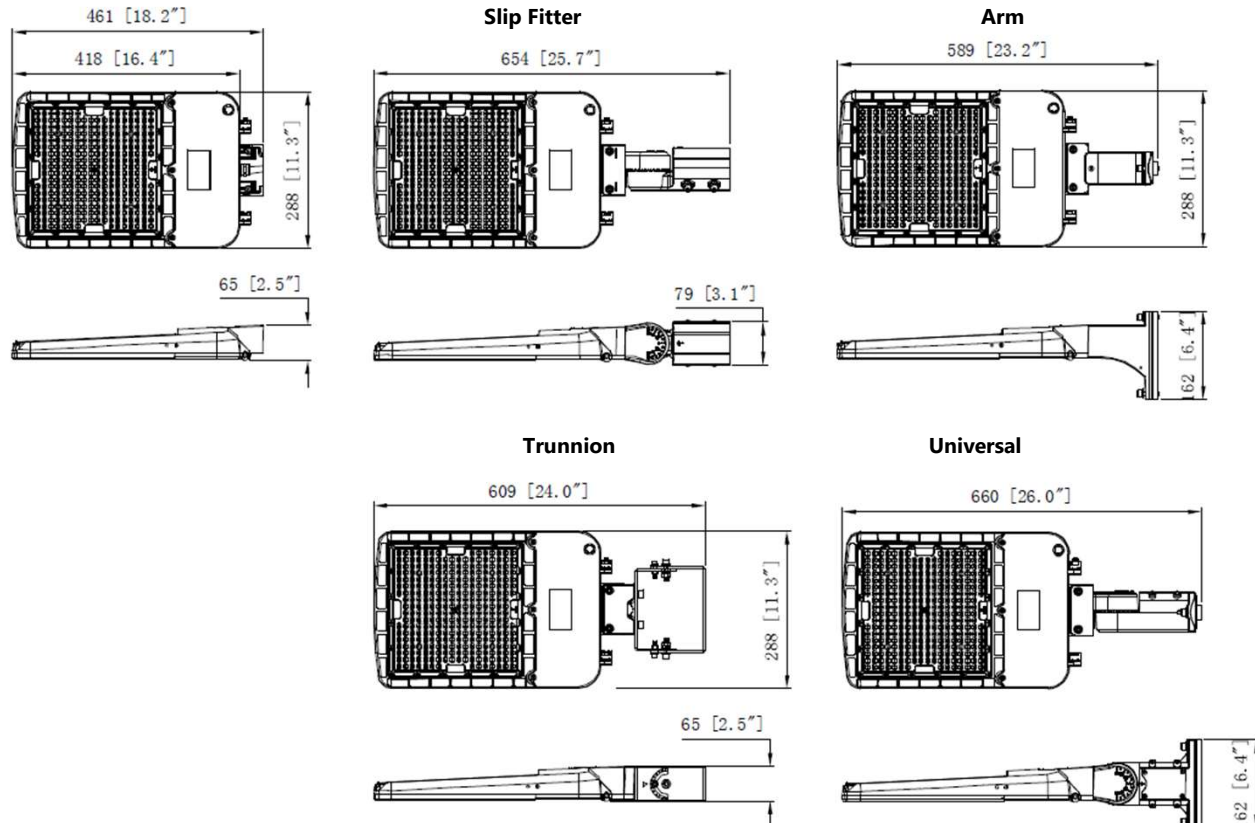
LED SHOEBOX/ AREA LIGHT – AL 02 Series

Dimension

HYA-AL02-150W-H3-50K-TW



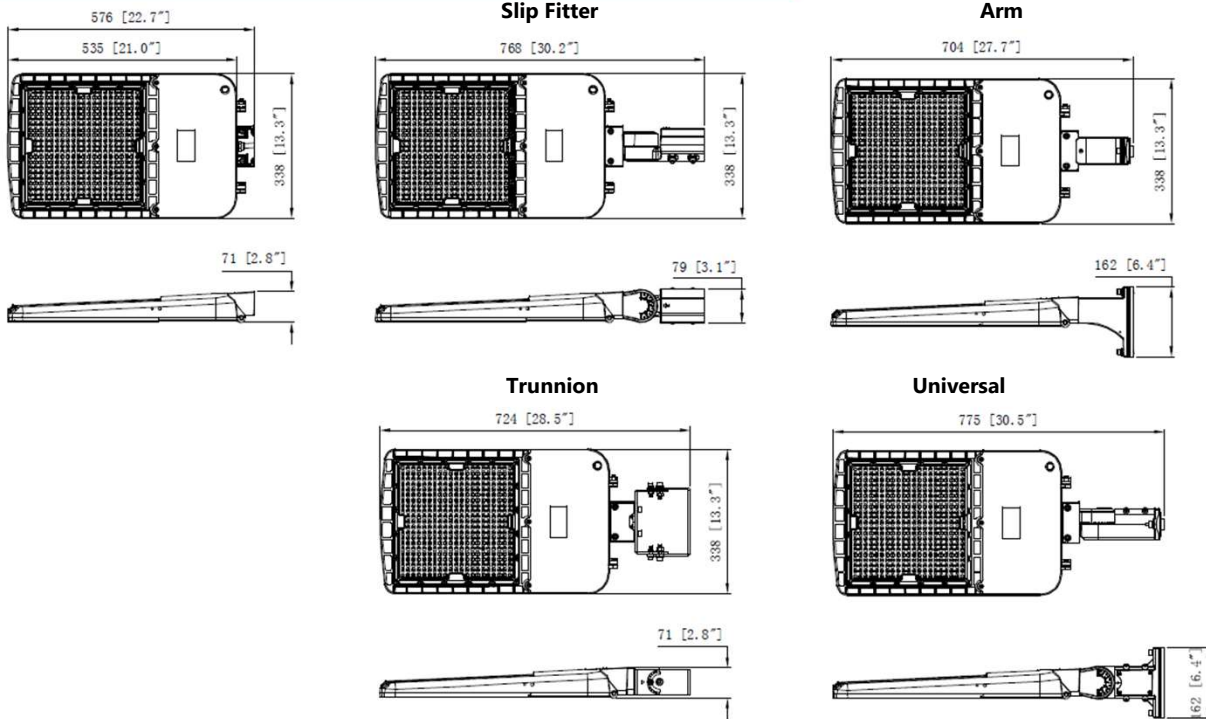
HYA-AL02-200W-H3-50K-TW



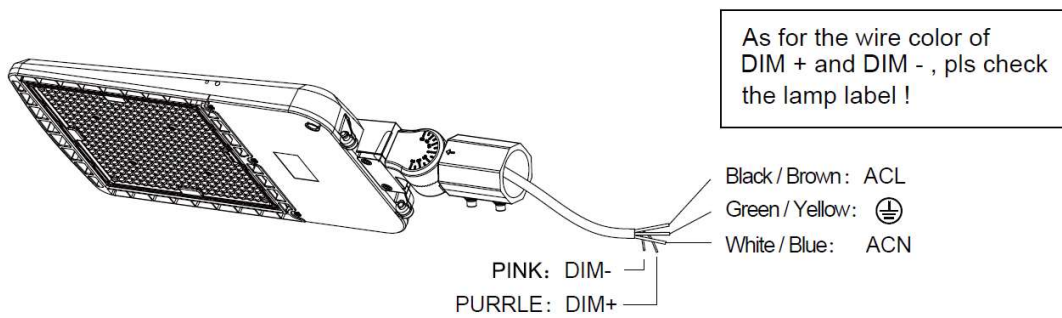
LED SHOEBOX/ AREA LIGHT – AL 02 Series

Dimension

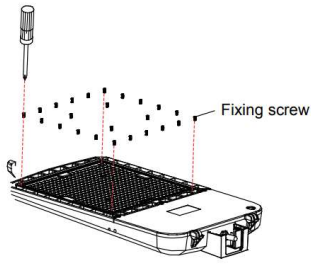
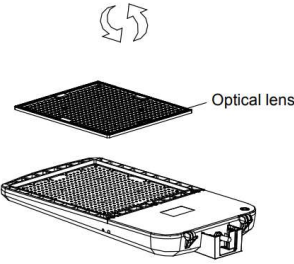

HYA-AL02-300W-H3-50K-TW



Installation



Operation Instruction of Rotating Optical Lens

<p>Step 1. First loosen the screws on the lens screws (total 24PCS), as shown in the figure;</p> 	<p>Step 2. Remove the optical lens, rotate it clockwise or counterclockwise to a desired angle, as shown in the figure;</p> 	<p>Step 3. Put back the adjusted optical lens, lock screws back, as shown in the figure.</p> 
--	---	--